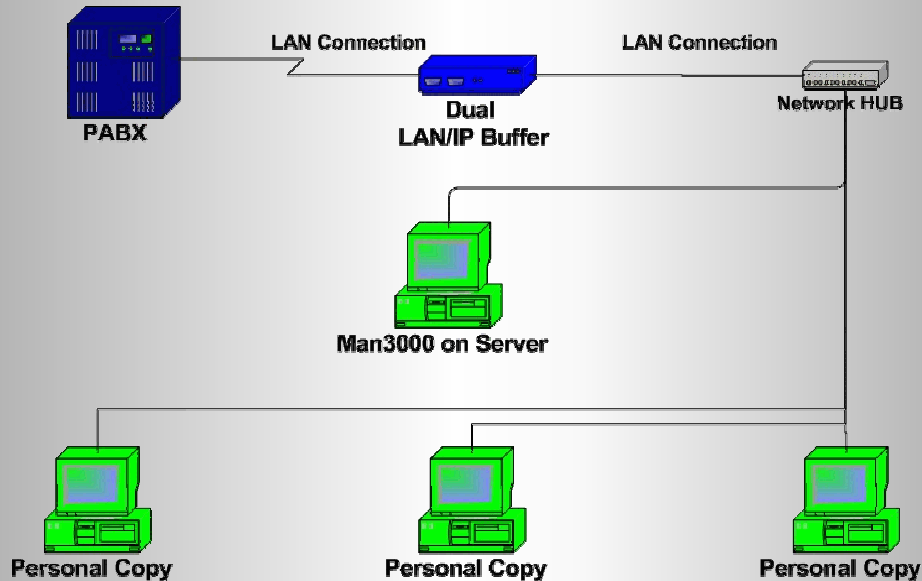


Man3000

Telephone Information Systems

DUAL LAN Buffer



Features

- Two Separate LAN/IP Ports.
- 10 000 Call Buffer.
- Discreet Installation.
- Seamless Connection to IP PABX'S.
- Uses existing infrastructure, cabling, network switch etc.
- Battery backup, unit will still record calls, provided that the PABX has its own Battery Backup
- Any PC on the Network that has the Redirector Software installed can download the Buffer.
- Less susceptible to static and surge, as there is no Serial Connection.

Configuration

- Connection between the Buffer and the IP PABX can be on a Separate Network (VPN).
- IP Output from the Buffer directly to the Company's Network.
- Either directly to a PC, or through the existing Hub or Switch.

For Pricing Details Contact TIS

